

# Technical data sheet

Product features



## Refrigerating unit for INFINITY 4011 silent

<b>Model</b>	<b>SAP Code</b>	00011990
--------------	-----------------	----------



<b>SAP Code</b>	00011990	<b>Net Weight [kg]</b>	250.00
<b>Net Width [mm]</b>	1705	<b>Power electric [kW]</b>	5.420
<b>Net Depth [mm]</b>	945	<b>Loading</b>	400 V / 3N - 50 Hz
<b>Net Height [mm]</b>	1500		

# Technical data sheet

Technical drawing

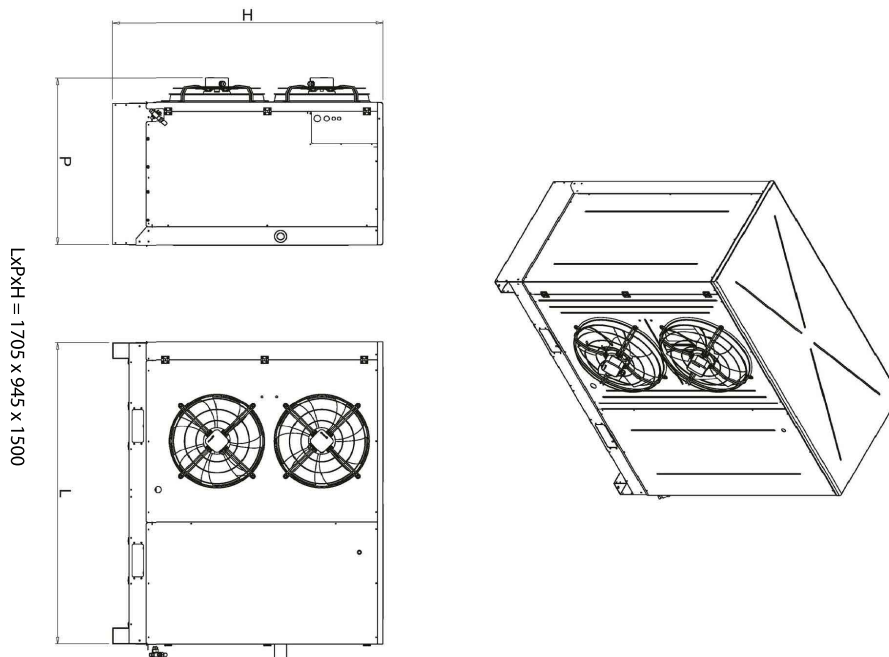


## Refrigerating unit for INFINITY 4011 silent

Model

SAP Code

00011990



# Technical data sheet

Technical parameters



## Refrigerating unit for INFINITY 4011 silent

**Model**

**SAP Code**

00011990

**1. SAP Code:**

00011990

**8. Gross Height [mm]:**

1729

**2. Net Width [mm]:**

1705

**9. Gross Weight [kg]:**

260.00

**3. Net Depth [mm]:**

945

**10. Device type:**

Electric unit

**4. Net Height [mm]:**

1500

**11. Power electric [kW]:**

5.420

**5. Net Weight [kg]:**

250.00

**12. Loading:**

400 V / 3N - 50 Hz

**6. Gross Width [mm]:**

1900

**13. Refrigerant:**

R452a

**7. Gross depth [mm]:**

1080